


TATA
TATA POWER SOLAR


Divya™



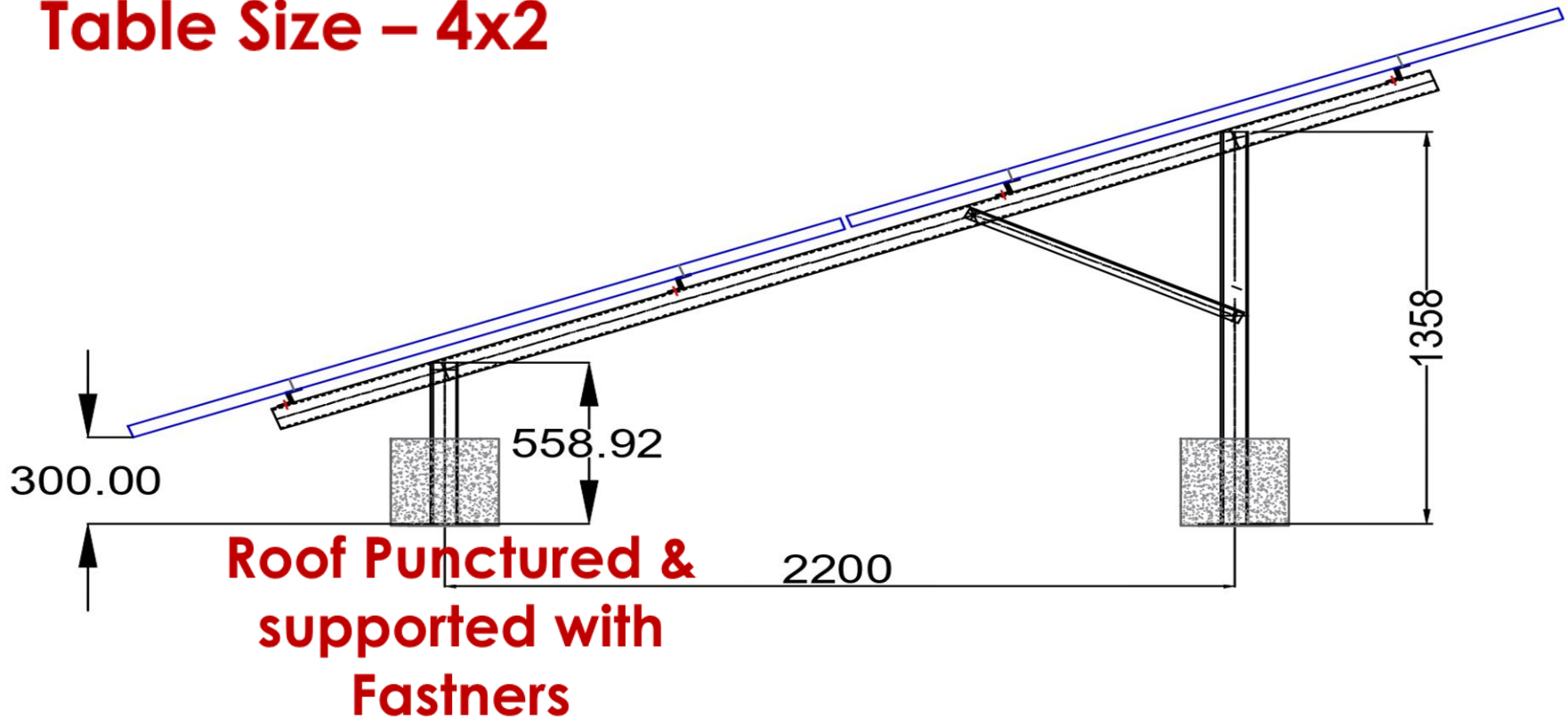
ELEVATED STRUCTURE



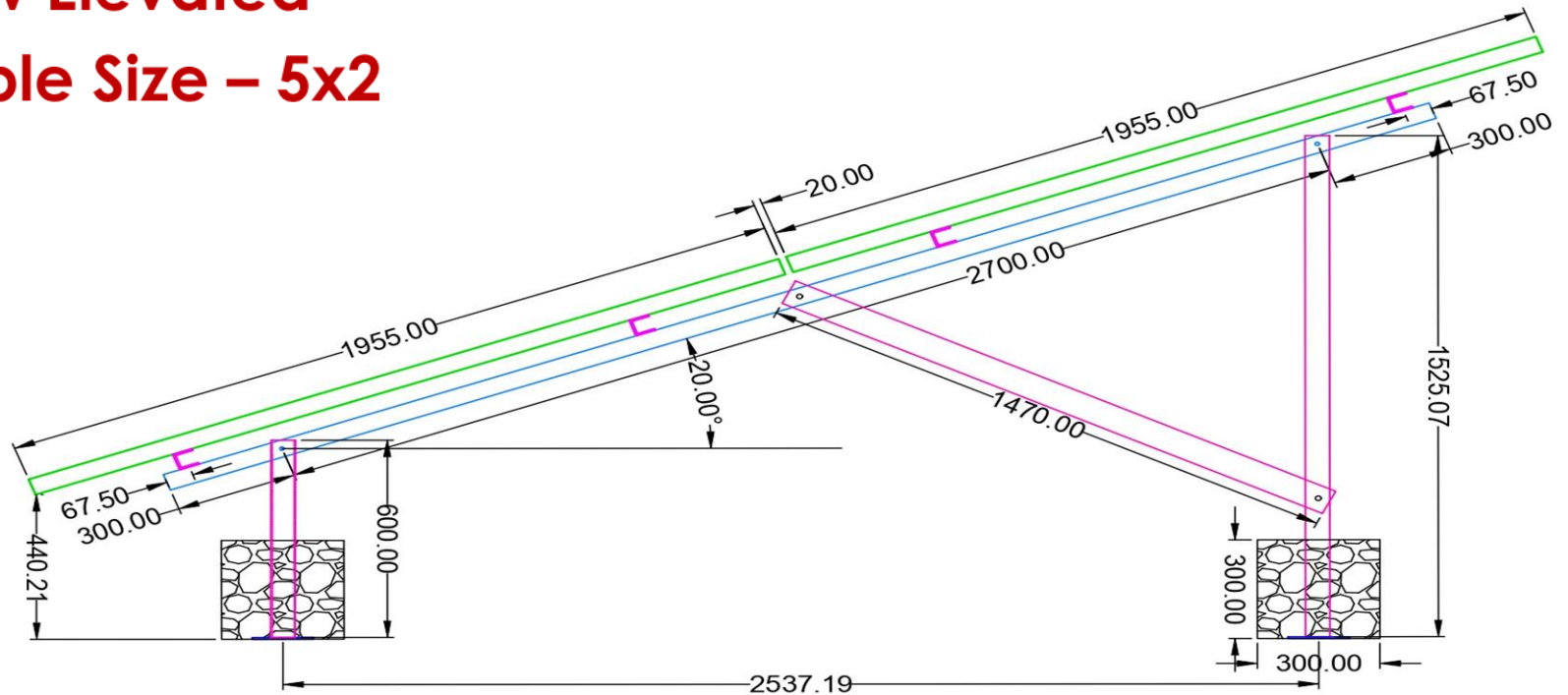
Material :-
Hot Dip Galvanized iron(HDGI)

Accessories:-
Mid Clamp, End Clamp, Strut,
Nuts & Bolts Sets

Low Elevated Table Size – 4x2

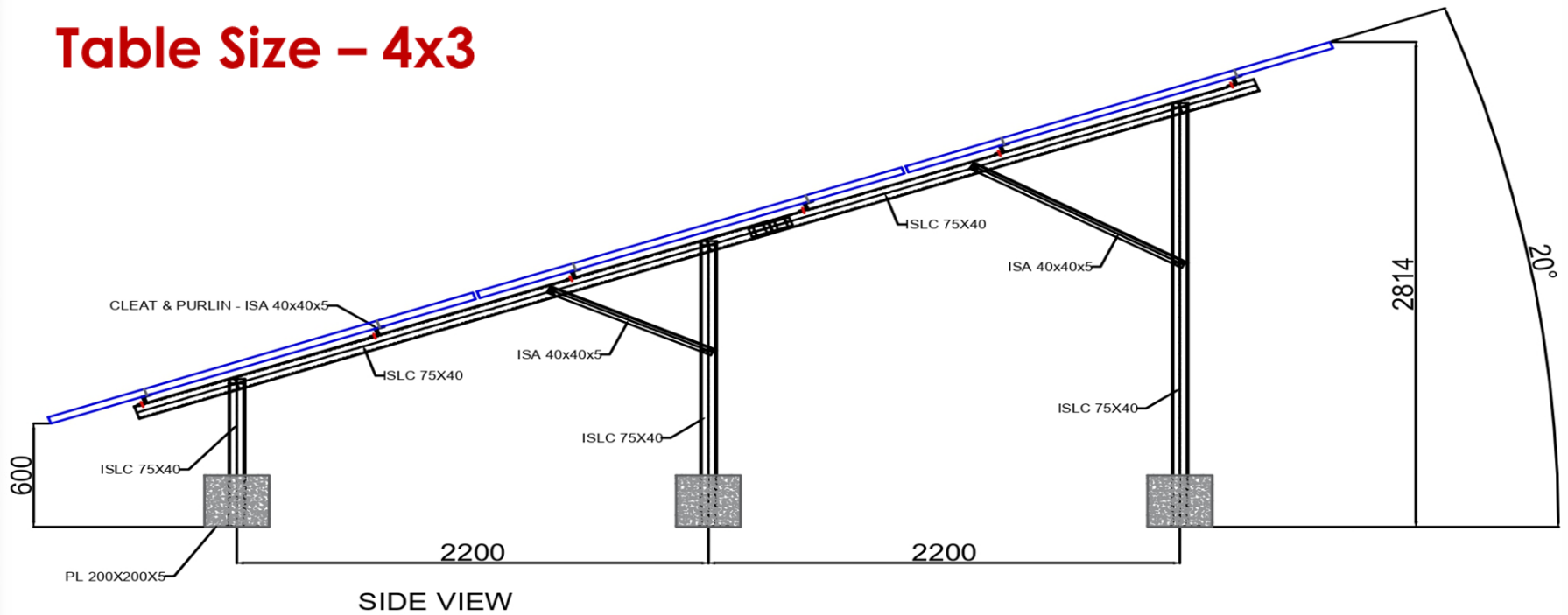


Low Elevated Table Size – 5x2

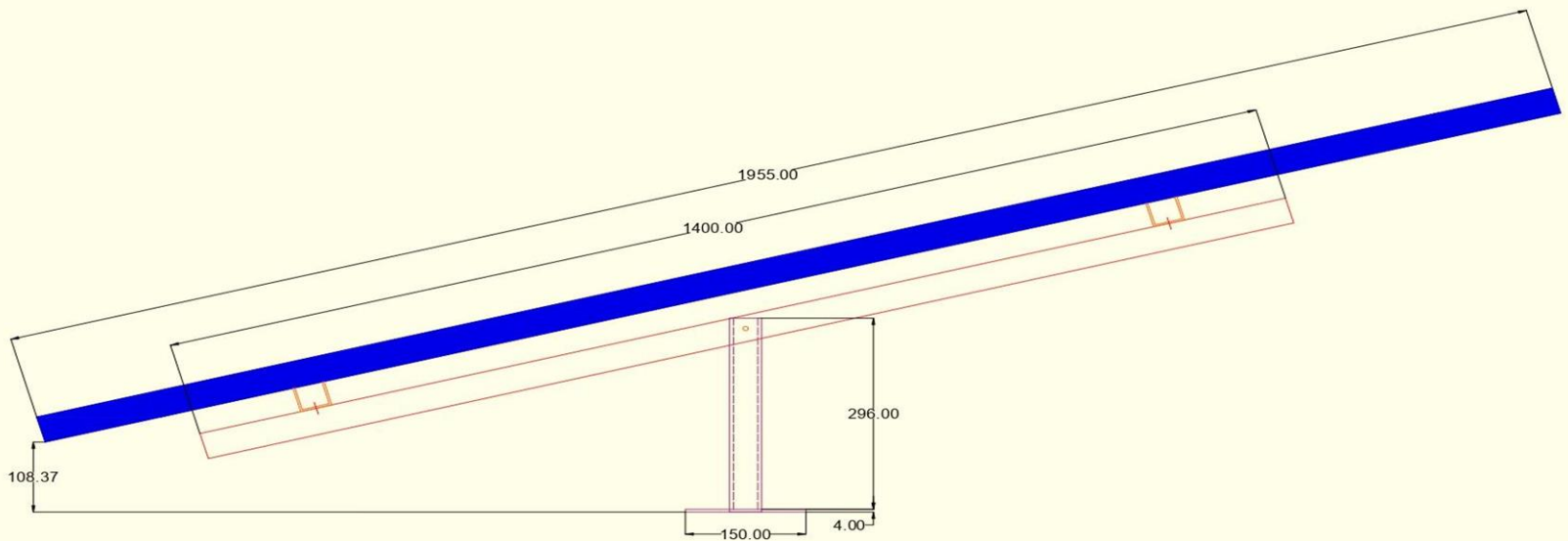


STRUCTURE AT 20 Deg.

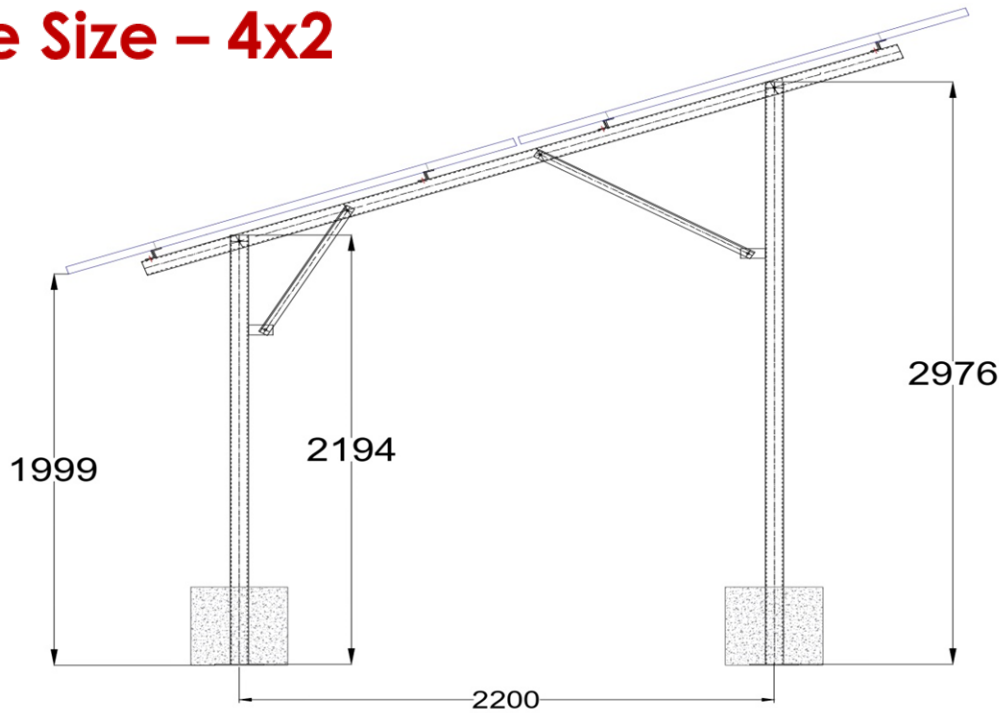
Low Elevated Table Size – 4x3



Low Elevated(Potrait) Table Size – 3x1

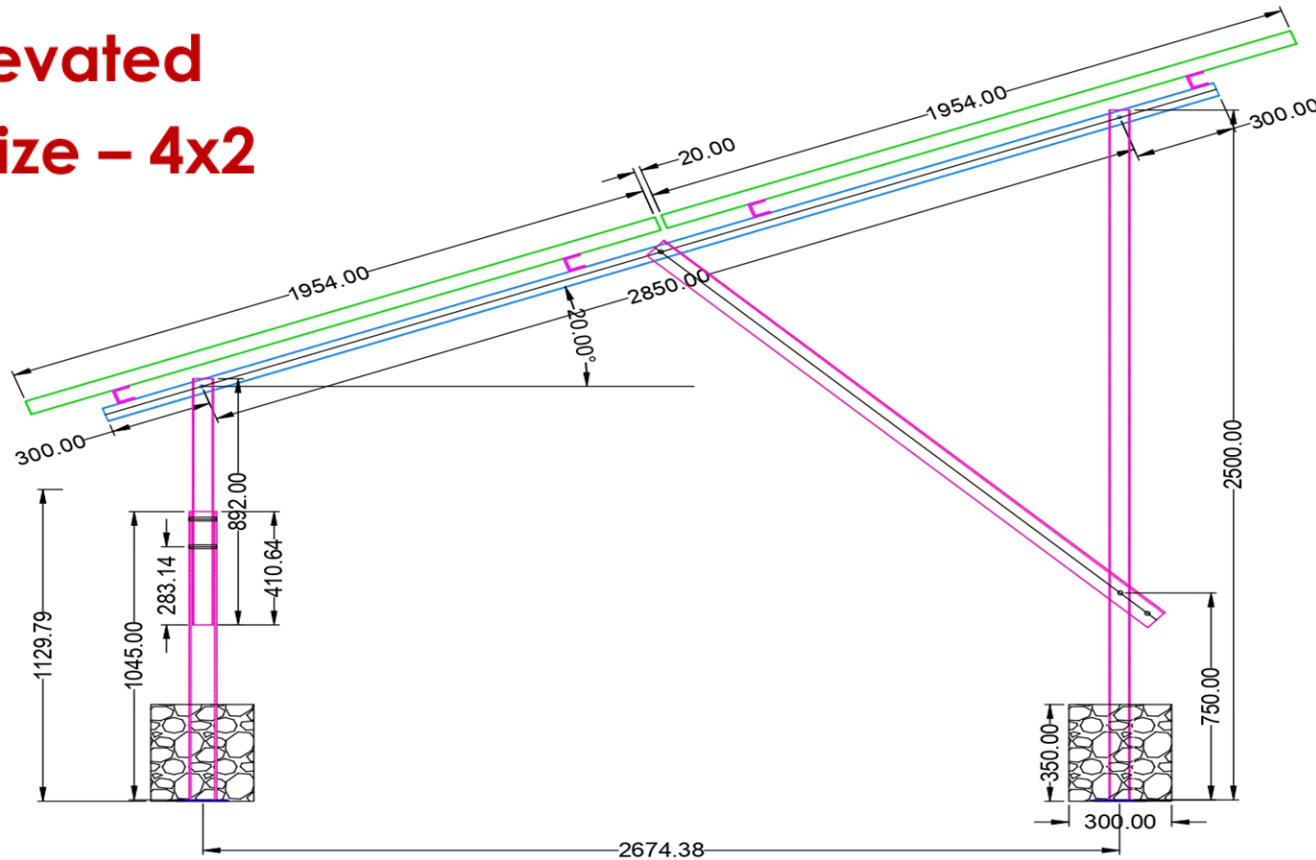


High Elevated Table Size – 4x2



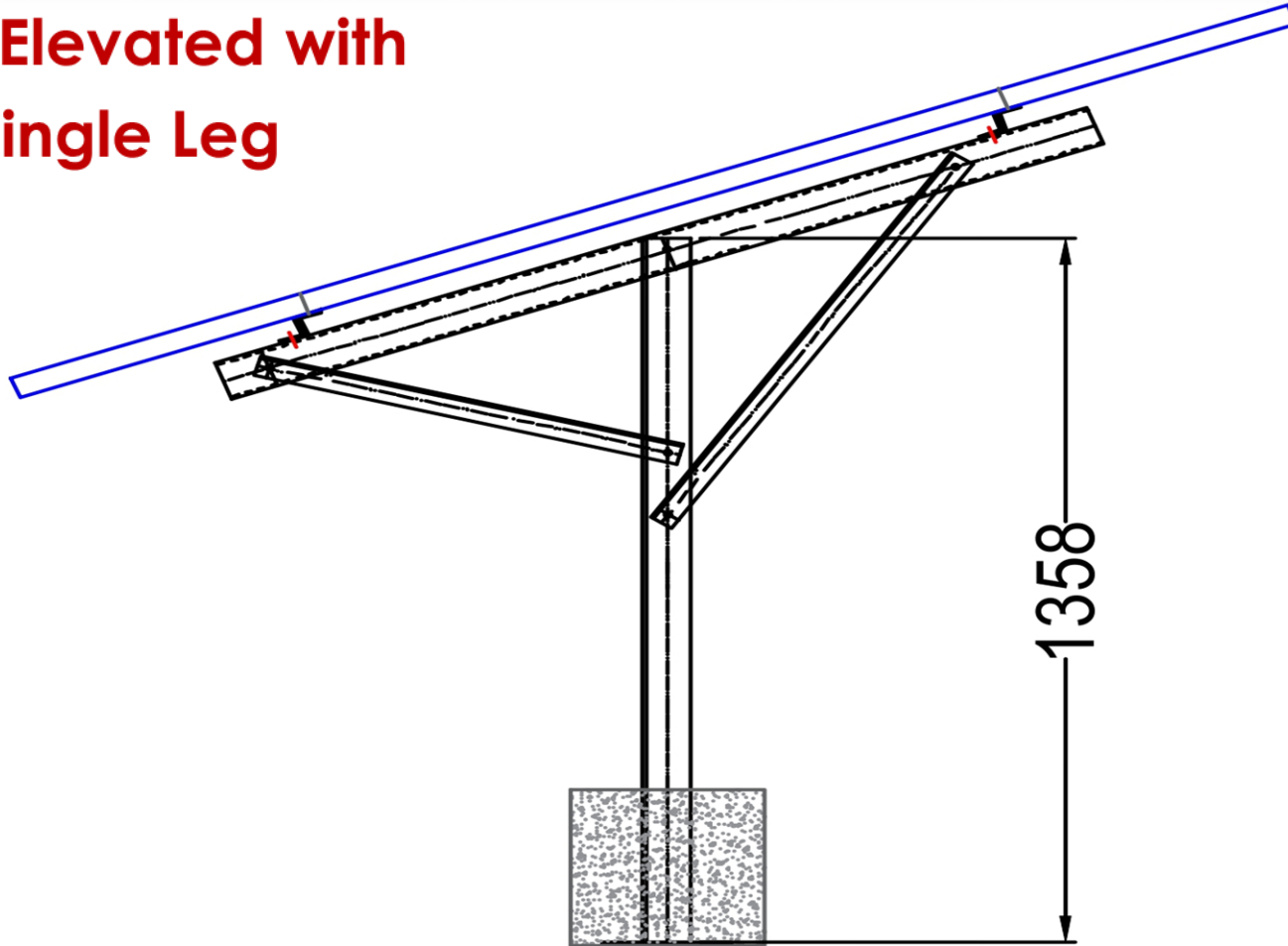
SIDE VIEW

High Elevated Table Size – 4x2



STRUCTURE AT 20 Deg.

High Elevated with Single Leg





BALLAST STRUCTURE



Material :-

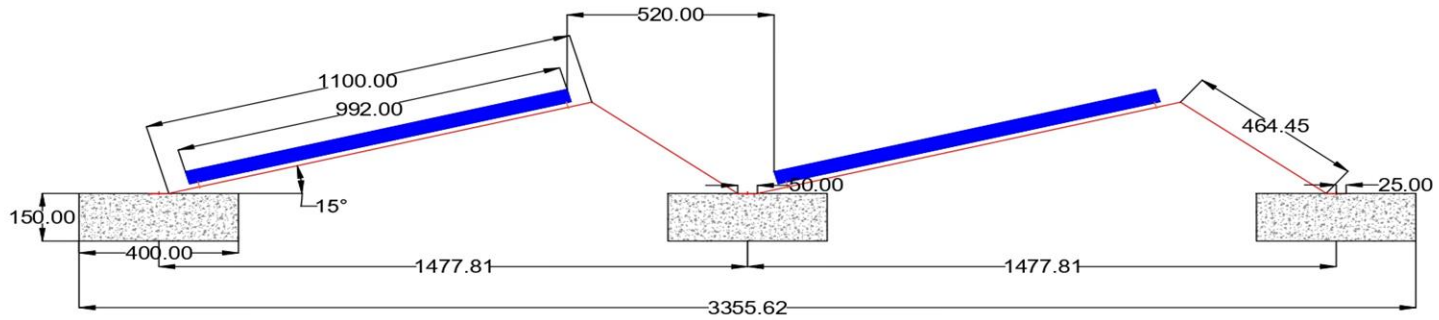
Hot Dip Galvanized iron(HDGI)

Accessories:-

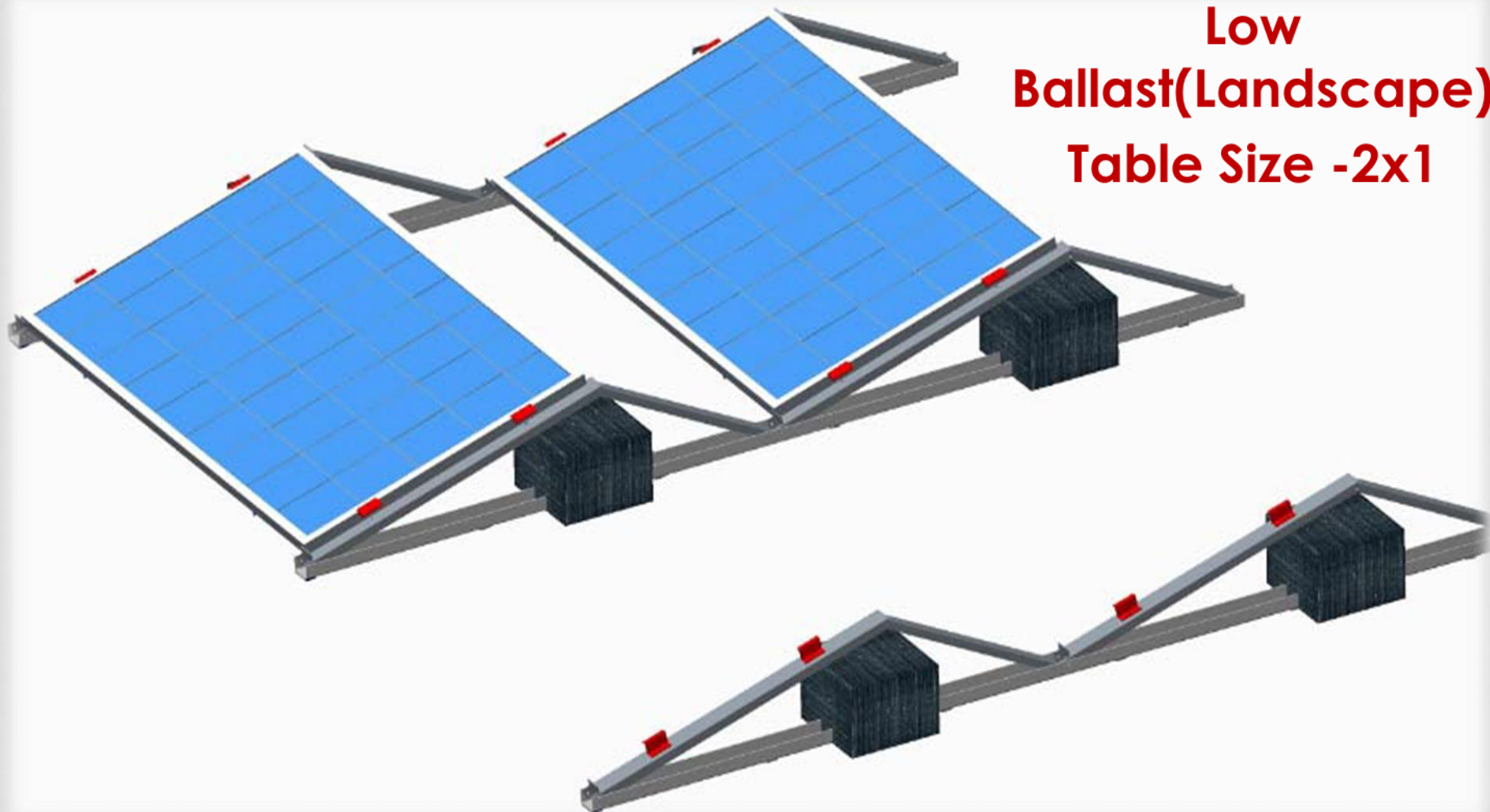
Mid Clamp, End Clamp, Strut,
Nuts & Bolts Sets



Low Ballast(landscape) Table Size -3x1



All Dimensions are in mm





B400_4X1



High Ballast(Potrait)
Table Size -4x1

TIN SHED STRUCTURE



Material :-
Hot Dip Galvanized iron(HDGI)

Accessories:-
Mid Clamp, End Clamp, Strut,
Nuts & Bolts Sets

Aluminium Mono Rail



Mid Clamp



End Clamp





THANK YOU

